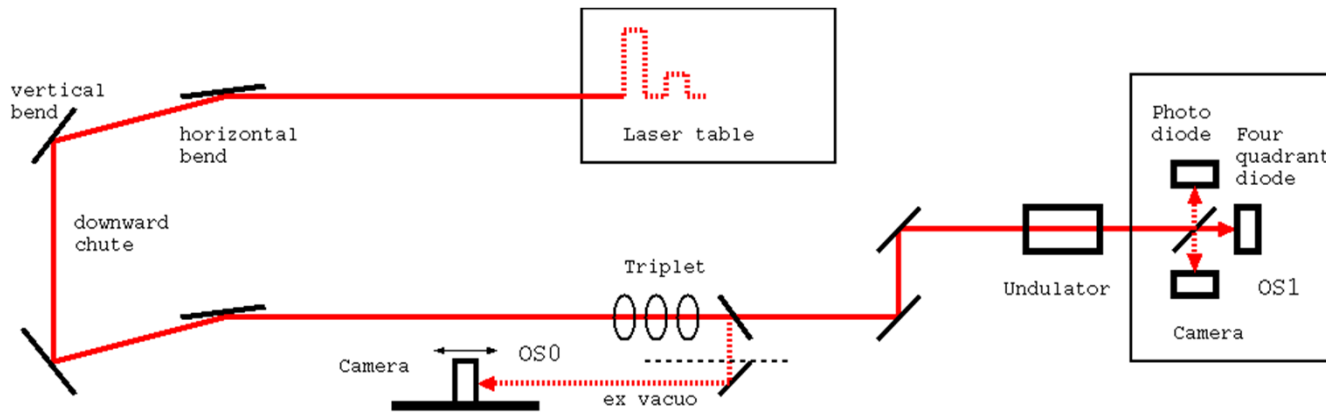


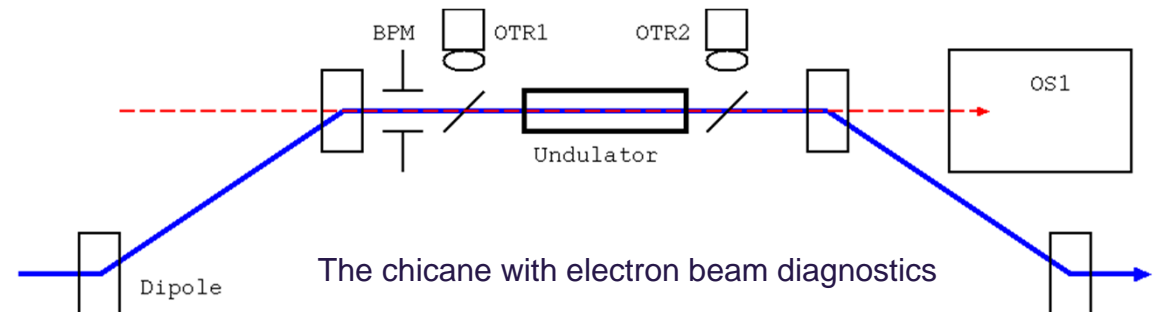
Laser heater system for the injector

Tasks:

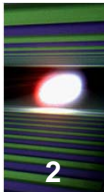
- Design of the laser heater system:
 - Laser table with delay stages
 - Evacuated laser tube with mirrors
 - Laser diagnostics and safety device
 - Electron vacuum parts
 - Hybrid undulator system with movable gap
 - Mechanical supports
- Manufacturing and testing the laser heater system
- Delivery to DESY, participation to installation and commissioning



Conceptual layout of the laser beam line

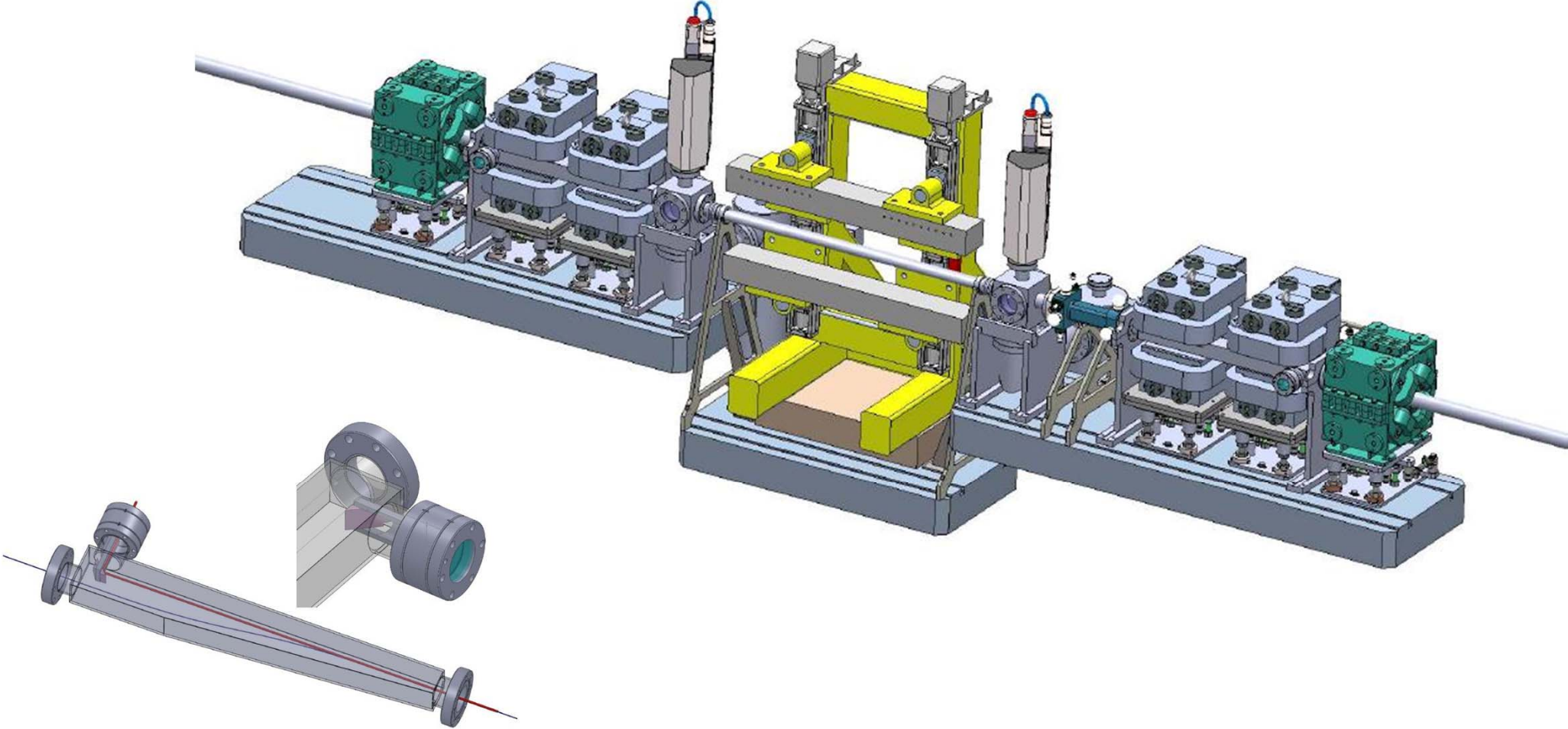


The chicane with electron beam diagnostics



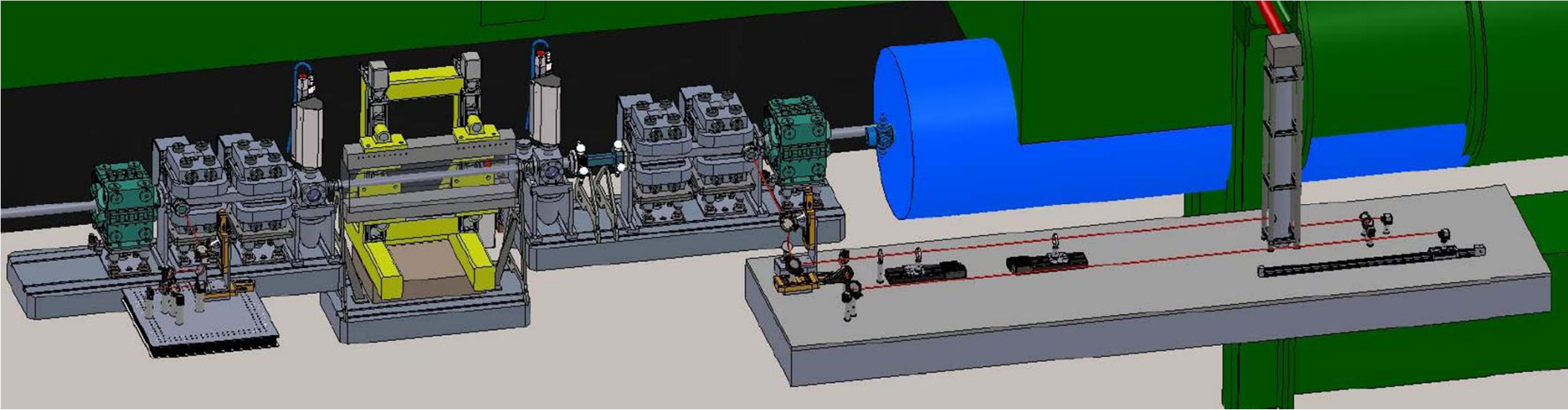
Laser heater system for the injector

Mechanical layout of the laser heater system



Vacuum chamber with the laser port

Laser heater system for the injector



Integration of the laser heater system and optical tables in the accelerator tunnel